

FIRE RESISTANCE CLASSIFICATION REPORT No. 16206C

Owner of the classification report:

AGC Glass Europe
166, Chaussée de la Hulpe
B-1170 Brussels
Belgium

Introduction:

This classification report defines the classification assigned to a non-loadbearing glazed wall (type: Pyrobel 17N_Jansen ECO 60 frame), in accordance with the procedures given in EN 13501-2: 2007+A1:2009: Fire classification of products and building elements – Part 2: Classification using data from fire resistance tests, excluding ventilation services.

This classification report consists of 11 pages and 10 annexes and may only be used or reproduced in its entirety.

1 Details of classified product

1.1 General

The element, Pyrobel 17N_Jansen ECO 60 frame, is defined as a non-loadbearing glazed wall.

1.2 Description

The element, Pyrobel 17N_Jansen ECO 60 frame, is fully described below in support of this classification. The drawings of the element are enclosed in the annexes 1 till 6 of this classification report.

1.2.1 Composition of the tested wall construction:

Dimensions of the wall:

- height: 3000 mm;
- width: 3000 mm;
- thickness: 60 mm.

1.2.1.1 Glazing system:

[1]-[6] Glass pane – type: Pyrobel 17N – nominal thickness: 17.8 mm \pm 1.6 mm – measured thickness: 16.2 mm till 18.9 mm.

- position: shown in annex 1.
- fixing: clasped between the glazing beads.
- orientation: the glass panes are symmetrical and can be used in both directions.

	Dimensions of the glass panes: (width x height)	Dimensions of the exposed area: (width x height)	Reference:
[1]	800 mm x 870 mm	770 mm x 840 mm	CM26104-04-502
[2]	800 mm x 870 mm	770 mm x 840 mm	CM26104-04-501
[3]	915 mm x 870 mm	885 mm x 840 mm	CM26104-03-501
[4]	915 mm x 870 mm	885 mm x 840 mm	CM26104-03-502
[5]	1000 mm x 1800 mm	970 mm x 1770 mm	CM26104-02-501
[6]	2835 mm x 1000 mm	2805 mm x 970 mm	CM26104-01-501

- [7] Setting block – material: hardwood – dimensions: 70 mm x 17 mm x 5 mm – density: 687 kg/m³ (MV).
- number: two per glass pane.
 - position: under the glass pane.
- [8] Clip-on bead – material: steel – type: Jansen ECO 60 – reference: 402.130 Z – outer dimensions: 20 mm x 30 mm – steel thickness: 1.25 mm.
- position: at the exposed side.
 - fixing:
 - with fastening studs [9] – material: steel – diameter: 4 mm – length: 16 mm;
 - centre/centre distance: 220 to 250 mm.
- [10] Glazing strip – material: self-adhesive ceramic paper – type: Superwool X607 – thickness: 5 mm – density: 210 kg/m³ (NV).
- Position:
 - between the glass panes and the clip-on beads;
 - between the glass panes and the frame.

1.2.1.2 Framing system:

The framing system includes the frame components, the intumescent strips and the fixing parts. The exact composition of the frame is confidential and is not communicated to the laboratory.

- [11] Tube profile – materials: steel – brand and type: Jansen ECO 60 – reference: 01.684 – outer dimensions: 70 mm x 60 mm – steel thickness: 1.75 mm (NV).
- position: at the outer edges.
 - fixing to the concrete frame:
 - with anchors [12] – material: steel – brand and type: Hilti 100 HT – diameter: 10 mm – length: 112 mm;
 - centre-to-centre distance: between 800 mm and 900 mm.
 - fixing: the horizontal and the vertical profiles are welded together at the extremities.

- [13] Intermediate tube profile – materials: steel – brand and type: Jansen ECO 60 – reference: 02.684 – outer dimensions: 90 mm x 60 mm – steel thickness: 1.75 mm (NV).
- position: between the glass panes.
 - fixing: the intermediate profiles are welded to the adjacent (intermediate-) profiles.
- [14] Setting block – material: calcium silicate – dimensions: 100 mm x 50 mm x 15 mm – density: 960 kg/m³ (NV).
- position: under the steel frame.
 - centre-to-centre distance: approx. 500 mm.
- [15] Mineral wool – type: Thermal insulation Superwool X607 – initial density: 96 kg/m³ (NV) – initial thickness: 25 mm.
- position: between the steel frame and the concrete frame, at the fixed edges.

2 Test reports/EXAP-reports and test results in support of the classification

2.1 Test reports/EXAP-reports

Name of the laboratory	Report ref. no.	Name of the owner	Date of the test	Method
WFRGENT nv	16206A	AGC Glass Europe	25/09/2013	EN 1364-1:1999
WFRGENT nv	16206B	AGC Glass Europe	-	EN 15254-4:2008+A1:2011

Exposure conditions during the fire resistance test:

Temperature/time curve: standard as in EN 1363-1:2012.

Direction of exposure: The glazing system is symmetrical.
The framing system is asymmetrical: glazing beads at the exposed side and the fixing of the frame at the unexposed side.

No load was applied.

One vertical edge is free, the other edges are fixed.

2.2 Test results

Parameters	Results
Thermal insulation – I	
$\Delta T_m = 140^\circ\text{C}$	52 minutes
$\Delta T_M = 180^\circ\text{C}$	9 minutes
Integrity – E	
Spontaneous and sustained flaming	65 minutes
Failure with gap gauge \varnothing 6 mm	65 minutes ⁽²⁾
Failure with gap gauge \varnothing 25 mm	65 minutes ⁽²⁾
Ignition of cotton pad	65 minutes ⁽²⁾
Radiation – W	
Radiation intensity = 15 kW/m ²	65 minutes

⁽¹⁾ The test was stopped after 65 minutes for safety reasons.

⁽²⁾ No failure until spontaneous and sustained flaming.

3 Classification and field of application

3.1 Reference of classification

This classification has been carried out in accordance with clause 7 of EN 13501-2:2007+A1:2009.

3.2 Classification

The element, Pyrobel 17N_Jansen ECO 60 frame, is classified according to the following combinations of performance parameters and classes as appropriate. No other classifications are permitted.

The classifications are only valid for the direction of exposure, as described in § 2.1.

EW 60, EW 30, EW 20

E 60, E 30, E 20

3.3 Field of direct application

This classification is valid for the following end use applications according to EN 1364-1:1999.

The results of the fire test are directly applicable to similar constructions where one or more of the changes listed below are made and the construction continues to comply with the appropriate design code for its stiffness and stability:

- a) unlimited increase and decrease of the width of the wall;
- b) unlimited decrease in height of the wall of 3 m;
- c) decrease in the linear dimensions of panes;
- d) change in the aspect ratio of panes provided that the largest dimension of the pane and its area are not increased;
- e) decrease in the distance between mullions and transoms;
- f) decrease in distance between fixing centres;
- g) increase in the dimensions of framing members;
- h) the use of screwed-on glazing beads;
- i) allowances for expansion;
- j) change in the angle of installation of up to 10° from the vertical.

3.4 Field of extended application

This classification is valid for the following end-use applications according to EN 15254-4:2008+A1:2011.

The results of the fire test are directly applicable to similar constructions where one or more of the changes listed below are made. Other changes are not permitted.

3.4.1 Exchange of the fire resistant glass

The “pyrobel 17N” glass panes can be replaced by thicker “pyrobel” glass panes, considering the rules listed in extended application report 16206B.

3.4.2 (A)symmetrical fire resistant glass

The fire resistant glass is symmetrical and can be used in both directions.

3.4.3 Individual rectangular glass panes: integrity and terminal insulation

The maximum dimensions of the circular, triangular and four sided shaped glass panes are represented by the thickest lines in annex 7 and 8, for the indicated E and EI classifications.

The maximum dimensions of the other non-rectangular glass panes are represented by the thinnest lines in annex 7 and 8, for the indicated E and EI classifications.

3.4.4 Individual rectangular glass panes: radiation

The maximum dimensions of the circular, triangular and four sided shaped glass panes are represented by the thickest lines in annex 7 and 8, for the indicated EW classifications.

The maximum dimensions of the other non-rectangular glass panes are represented by the thinnest lines in annex 7 and 8, for the indicated EW classifications.

3.4.5 Exchange of metal glazing beads

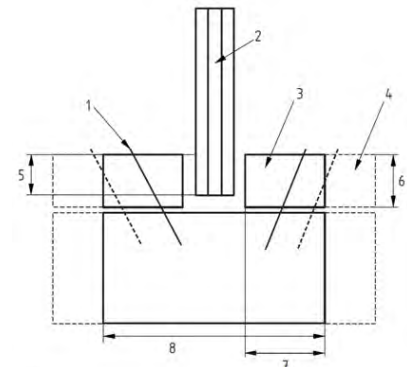
It is not allowed to exchange the type of material used for the glazing beads.

Changes in bead shape are only allowed if it can be demonstrated not to have a detrimental effect on the fire performance.

Clipped beads can be replaced by screw fixed or riveted beads.

Bead depth can be increased (see schematic drawing 1, item 7). The bead depth must be at least 30 mm.

The bead height can be increased provided that the edge cover doesn't change or the increase in edge cover can be shown, that it does not have a detrimental effect on the fire performance. The bead height must be at least 20 mm.



Key

- 1 bead fixing e.g. screws, nails etc;
- 2 glass;
- 3 bead;
- 4 bead extended in depth;
- 5 edge cover;
- 6 bead height;
- 7 bead depth;
- 8 frame section depth.

Schematic drawing 1

3.4.6 Exchange of glazing materials

Except for glazing beads, exchange of one glazing material (Gaskets/glazing, strips/setting blocks, ...) is allowed. But only if it can be demonstrated that the exchange does not have a detrimental effect on the fire performance within a comparable glazing system of the same product group.

3.4.7 Bead surface coverings

Decorative surface coverings of the glazing beads may be added where one does not exist, provided it can be demonstrated that the covering material achieves at least Class A2 when tested according to EN 13501-1. In addition it must be shown that they do not adversely affect the fire resistance performance of the fire resistant glazed element.

If the surface covering is not Class A2 then it has to be proven that it does not negatively affect the fire performance.

Any coverings on glazed elements classified EI shall be secured using only fixing method(s) proven in the reference test and/or by previously existing test data.

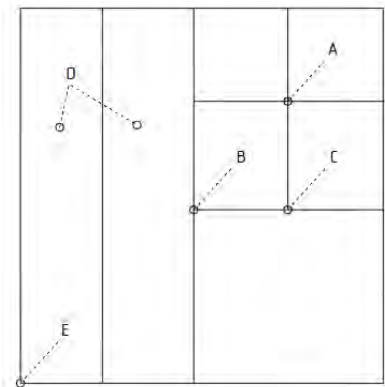
3.4.8 (A)symmetrical framing systems

The framing system is asymmetrical and can only be used in the direction it was tested: glazing beads at the exposed side and the fixing of the frame at the unexposed side.

3.4.9 Exchange of frames

Frames can be manufactured using all or some of the following allowed junction types:

- | | |
|-------------------------------|---|
| type A is allowed: | four panes joining together; |
| type B is allowed: | three panes joining together at one point including a full height vertical pane; |
| type C is allowed: | three panes joining together at one point including a full width horizontal pane; |
| type D is <u>not</u> allowed: | two full panes side by side; |
| type E is allowed: | corner junction. |



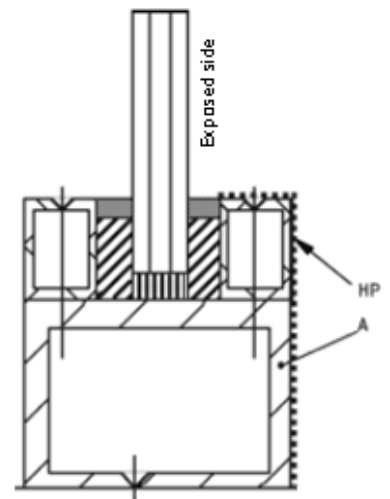
Schematic drawing 2

3.4.10 Metal frames

It is not allowed to exchange the type of material used to construct the frame.

The frame section may be changed provided that it can be demonstrated that:

- the axial stress levels in the vertical elements and the bending stress are not increased in cold state;
- the HP/A factor for the frame and bead is not increased; (HP = Heated perimeter [mm]; A = Heated cross section [mm²])
- the depth of the section is not reduced;
- the wall thickness and number of chambers in the frame are not reduced.



Schematic drawing 3

3.4.11 Frame surface coverings

Decorative surface coverings of the framing members may be added where one does not exist, provided it can be demonstrated that the covering material achieves at least Class A2 when classified according to EN 13501-1. In addition it must be shown that they do not adversely affect the fire performance of the fire resistant glazed partition, e.g. in the case of replacement of coverings that provide a contribution to insulation performance.

Any coverings on glazed partitions classified EI shall only be secured using fixing methods that do not impair the fire performance of the partition.

3.4.12 Increase in overall dimensions and area of the partition

The maximum overall dimensions of the fire resistant glazed partition are represented by the thickest lines in annex 9 and 10, for the indicated E and EI classifications.

3.4.13 Increase in dimensions for the fire resistant glazed partitions: radiation

The maximum overall dimensions of the fire resistant glazed partition are represented by the thickest lines in annex 9 and 10, for the indicated EW classifications

3.4.14 Replication of the fire resistant glazed partition with reference to radiation

A wider construction achieved by replicating the fire resistant glazed partition as tested, by adding more units of the same fire resistant glazed partition side by side is allowed for the classifications listed in paragraph 3.2.

3.4.15 Changing in installation angle

A change in the angle of installation of up to ± 10 degrees from the vertical is allowed. No further increase in the installation angle is allowed.

4 Limitations

This classification document does not represent type approval nor certification of the product.

SIGNED

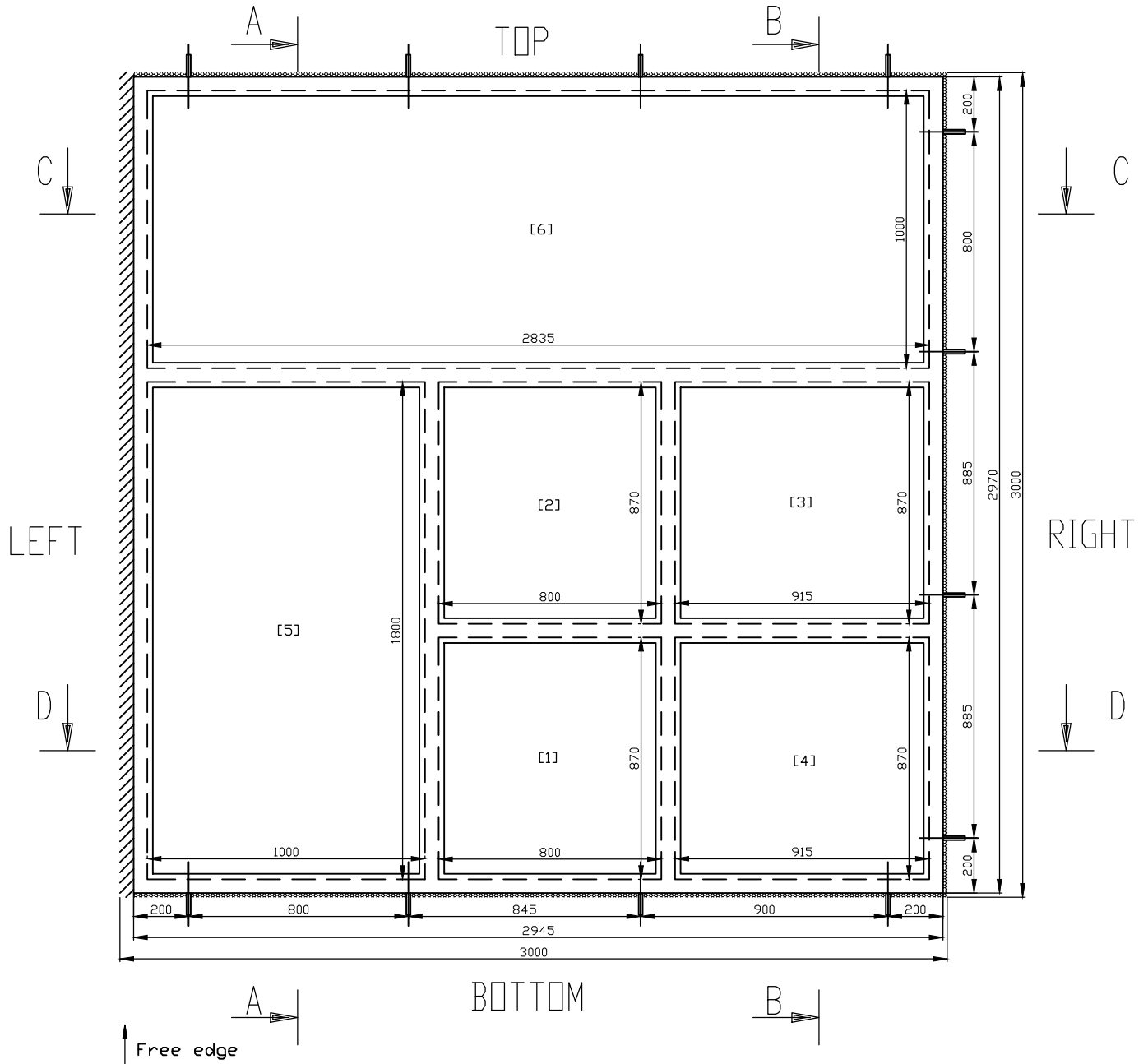
APPROVED

This document is the original version of this classification report and is written in English.

This report may be used only literally and completely for publications. For publications of certain texts, in which this report is mentioned, our permission must be obtained in advance.

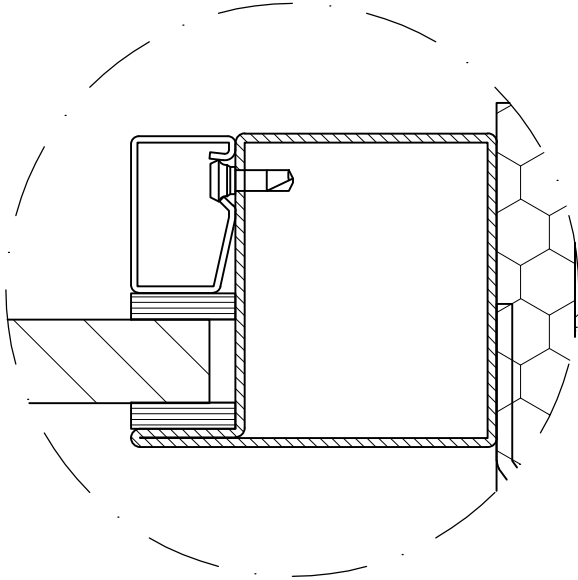
The authenticity of the electronic signatures is assured by Belgium Root CA.

Front view (unexposed side) - dimensions

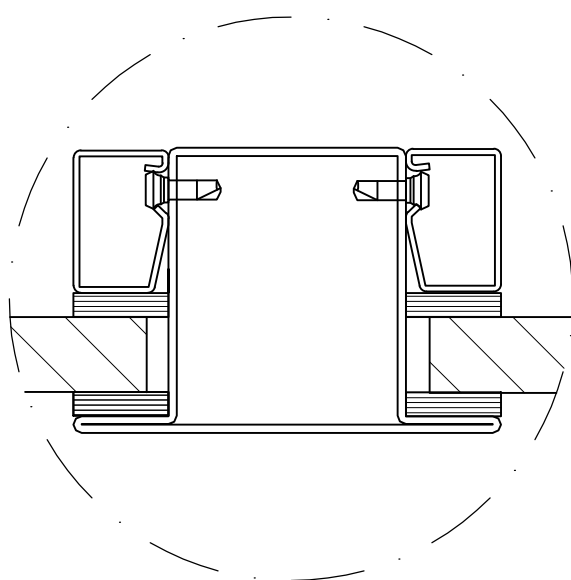


Details

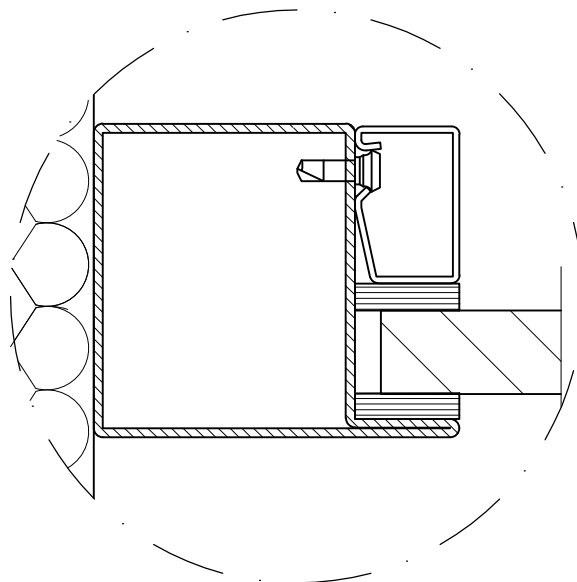
Detail A



Detail B



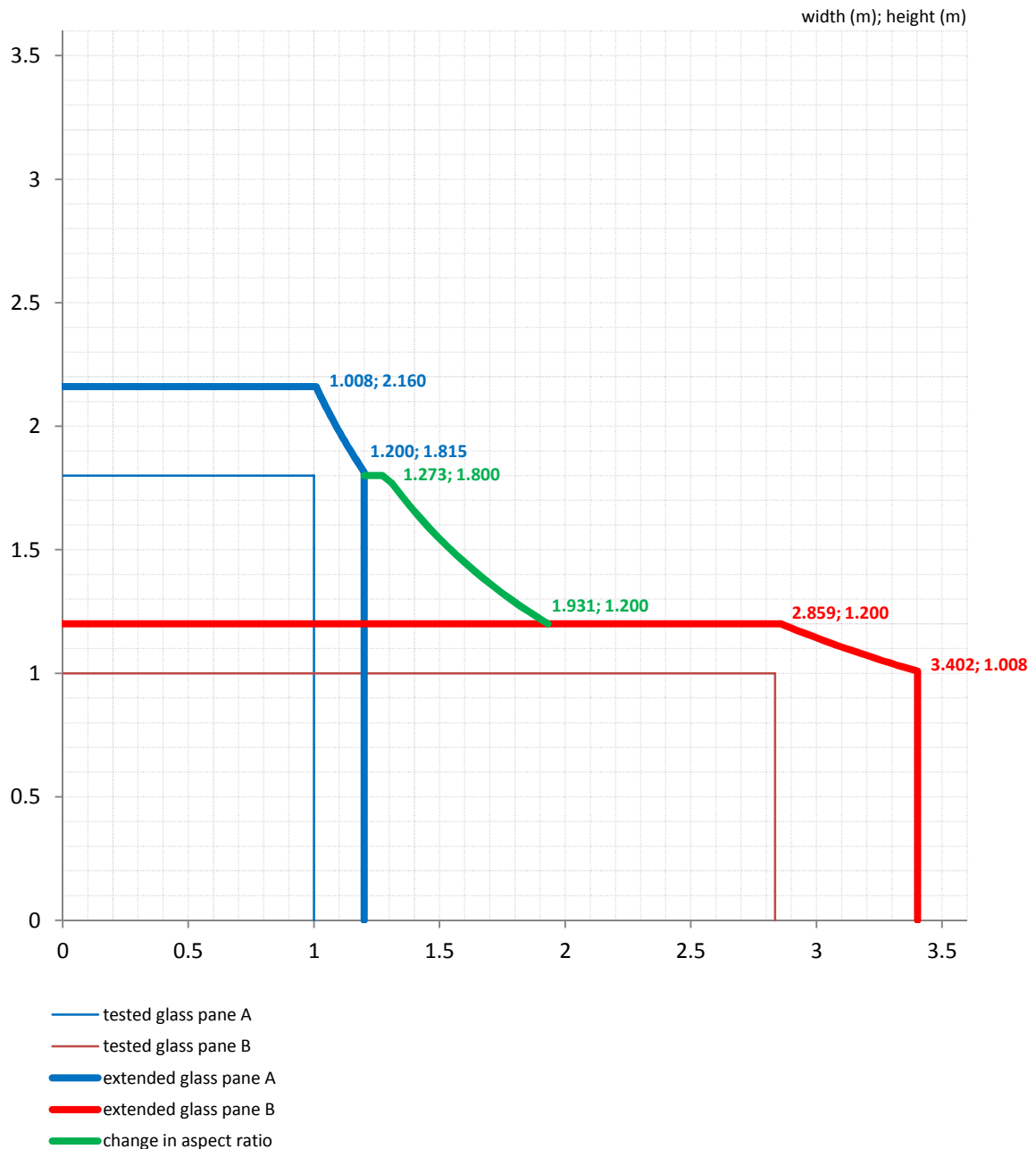
Detail C



Individual rectangular glass panes: aspect ratio and increase in area

The extended dimensions are only valid for the following classifications:

- E 30, E 20;
- EW 30, EW 20.



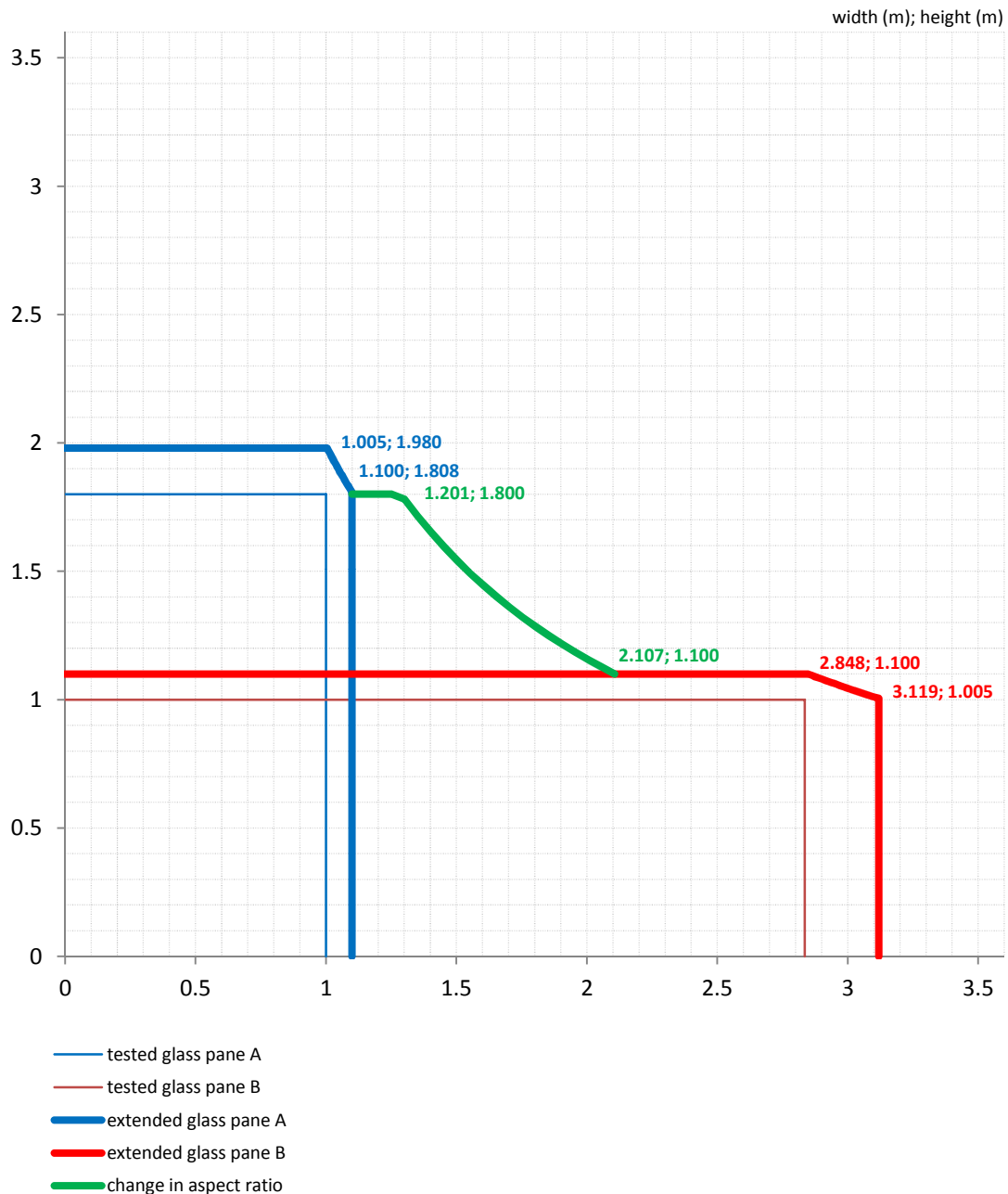
Note:

The maximum dimensions of circular, triangular and four sided shaped glass panes are represented by the thickest lines (extended dimensions). The maximum dimensions of the other non rectangular glass panes are represented by the thinnest lines (tested dimensions).

Individual rectangular glass panes: aspect ratio and increase in area

The extended dimensions are only valid for the following classifications:

- E 60;
- EW 60.



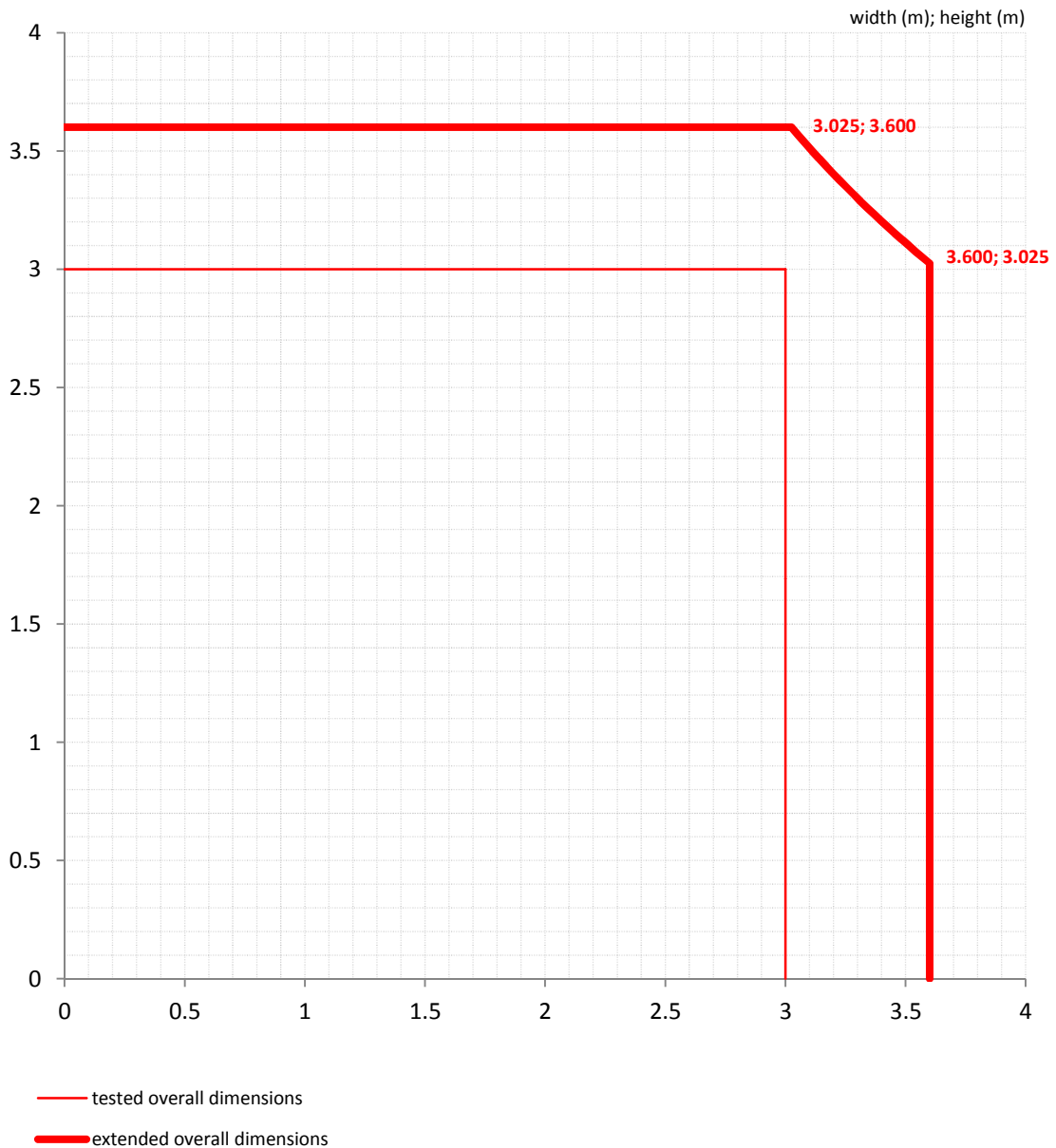
Note:

The maximum dimensions of circular, triangular and four sided shaped glass panes are represented by the thickest lines (extended dimensions). The maximum dimensions of the other non rectangular glass panes are represented by the thinnest lines (tested dimensions).

Increase in overall dimensions and area of the partition

The extended dimensions are only valid for the following classifications:

- E 30, E 20;
- EW 30, EW 20.



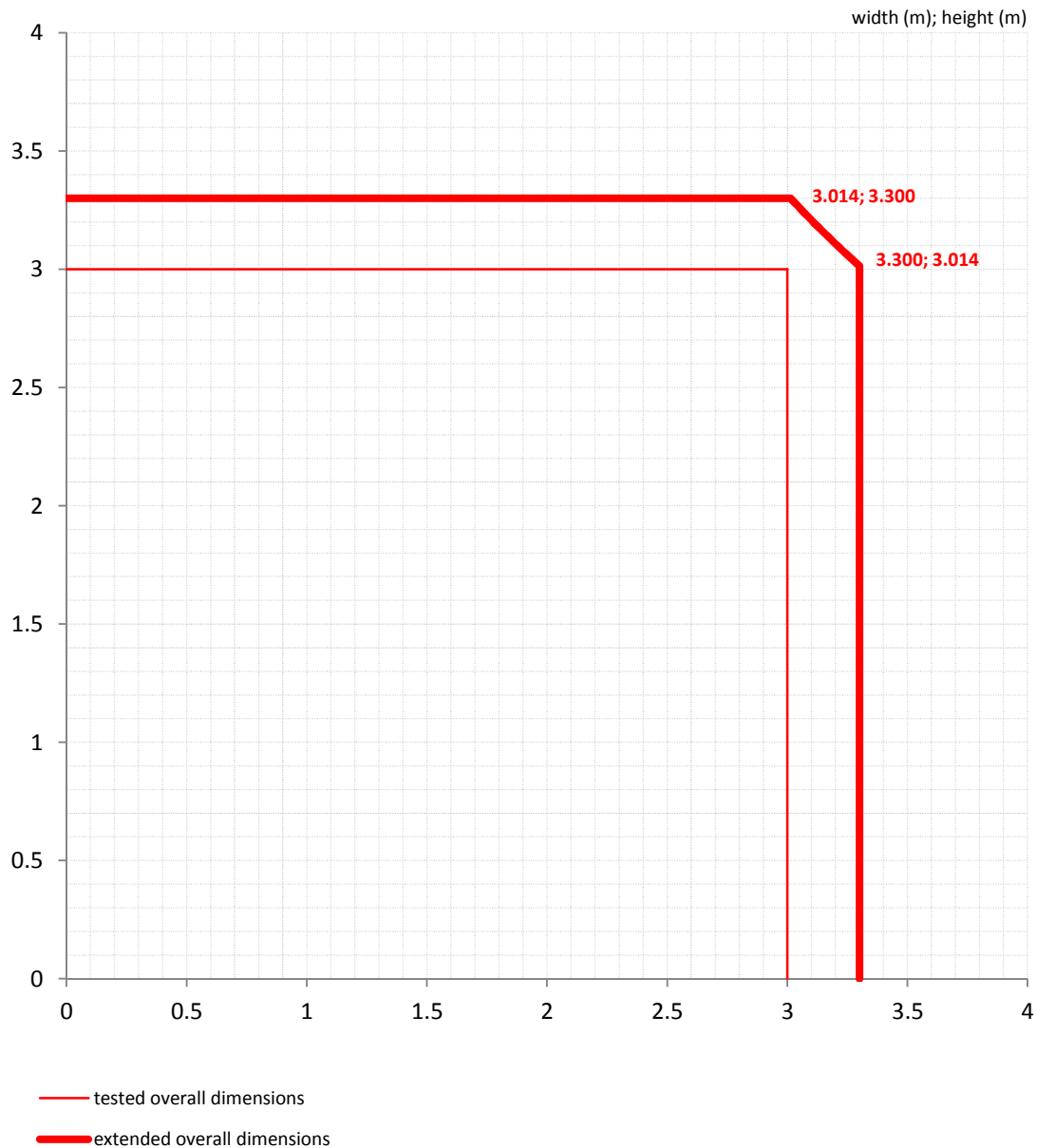
Note:

The maximum overall dimensions of the fire resistant glazed partition are represented by the thickest lines. A wider construction achieved by replicating the extended fire resistant glazed partition is allowed.

Increase in overall dimensions and area of the partition

The extended dimensions are only valid for the following classifications:

- E 60;
- EW 60.



Note:

The maximum overall dimensions of the fire resistant glazed partition are represented by the thickest lines. A wider construction achieved by replicating the extended fire resistant glazed partition is allowed.